


Specifications:

Protection class:	IP67, IP69k
Cable glands:	M25x1.5
Weight:	2200 g (without barcode reader)
Housing:	V2A (1.4301)
Optic cover:	Glass
Operating temperature range:	-35°..+40 °C, depending on the barcode reader
Dimensions:	200 x 135 x 63 mm (without cable glands)
Mounting:	Round rod 20mm

Safety Notices
Read the operating instructions!

Prior to commissioning, read the operating instructions of the barcode reader BCL 3xxi.

Attention!

Mounting, commissioning and maintenance of the device must only be carried out by qualified personal. Observe applicable legal normatives and accident-prevention regulations (responsibility of the owner).

Approved purpose
Attention!

The protection housing is **only** for the combination of the barcode reader BCL 3xxi with deflection mirror **and** the connection hood MS 3xx. The following uses are, in particular, not permitted:

- in rooms with explosive atmospheres
- in circuits which are relevant to safety

Attention, laser radiation!

The barcode reader BCL 3xxi inside operates with a red light laser of class 2 acc. to EN 60825-1. It fulfill the U.S. 21 CFR 1040.10 rules with "Laser Notice No. 50" dated July 26, 2001.

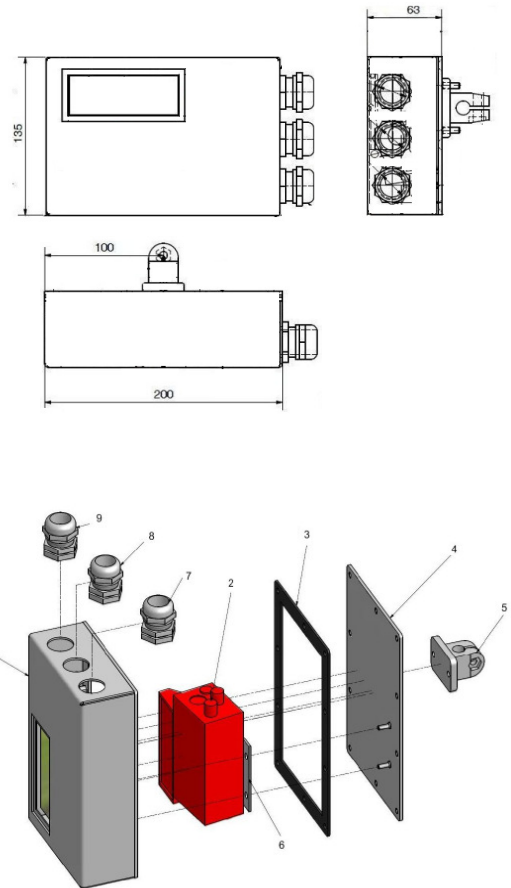
Notice!

All screws for fastening the housing cover (4) must be mounted. Unused cable glands must be sealed with plugs. Please attach the stick-on label supplied to the device.

Minimum tightening torque of the mounting plate screws 0,8 Nm.

Mounting:

- A. Mount the BCL 3xxi to the modular connector hood MS 3xxi. Following mount the mounting plate (6) with the 4x M4 screws tot he back side of the barcode reader BCL 3xxi (2)
- B. Mount the mounting plate (6) to the cover (4) with the 2x washer and M4 nuts
- C. Open the cable glands and insert the cable through the cable gland.
- D. Mount the housing cover (4) with the 10x M5 screws on the housing (1). Note the correct alignment of the housing seal (3)!
- E. Fix the sealing insert or screw plug and tighten the cable glands


Legend:

1. Housing
2. BCL 3xx deflection mirror with MS 3xx
3. Seal
4. Housing cover
5. Mounting brackets
6. Mounting plate
7. Cable gland for cable „Power supply“
8. Cable gland for cable „Bus in“
9. Cable gland for cable „Bus out“